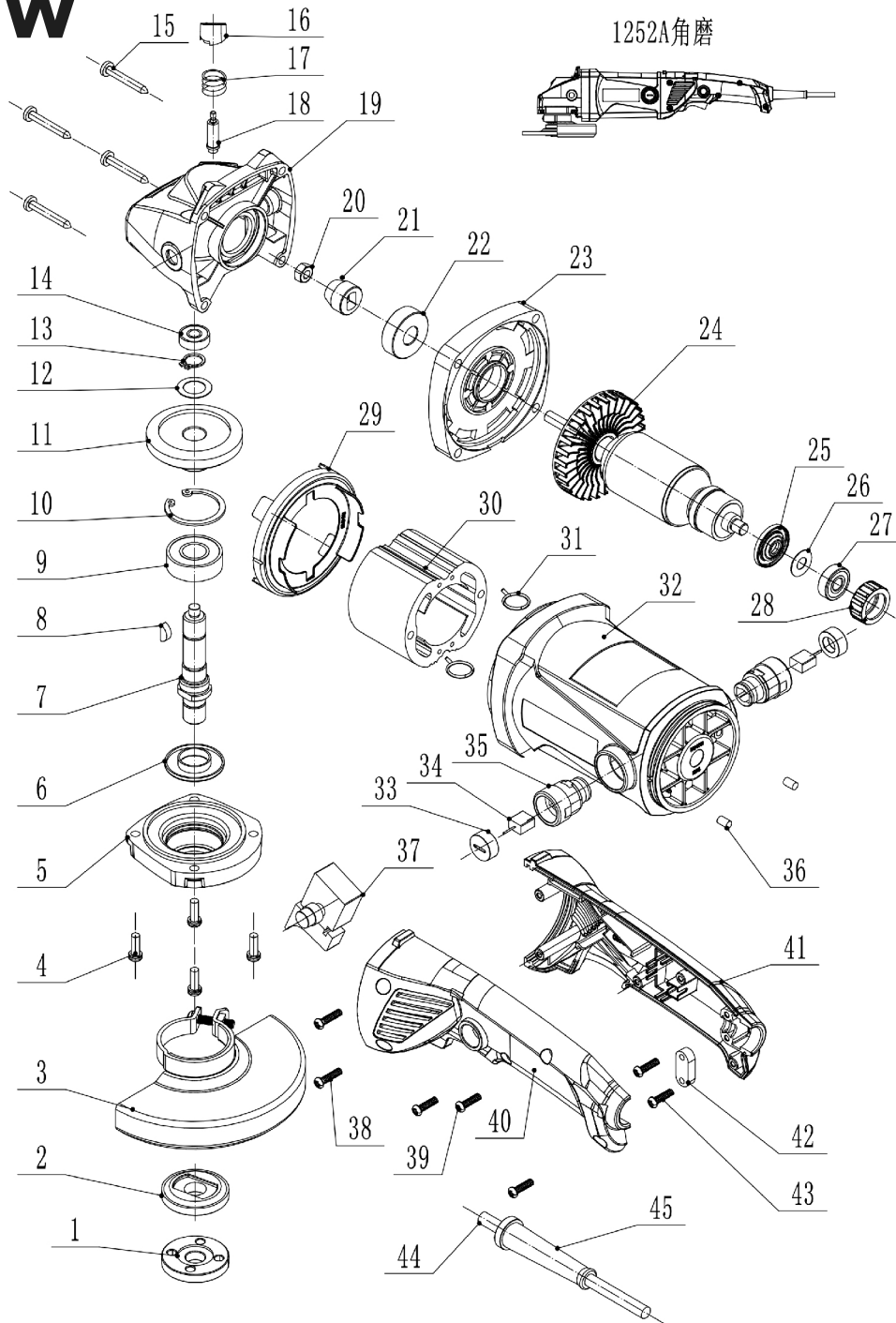


# EXPLODED VIEW



## ANGLE GRINDER

**SC-AG-5-358**

Rated voltage/frequency	:220V~ 50Hz
Input power	:2000W
No load speed	:11000r/min
Disc diameter	:125mm